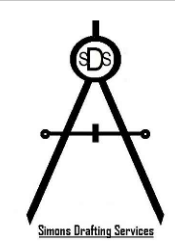


52A Regent Avenue
SITE PLAN
 SCALE 1:200

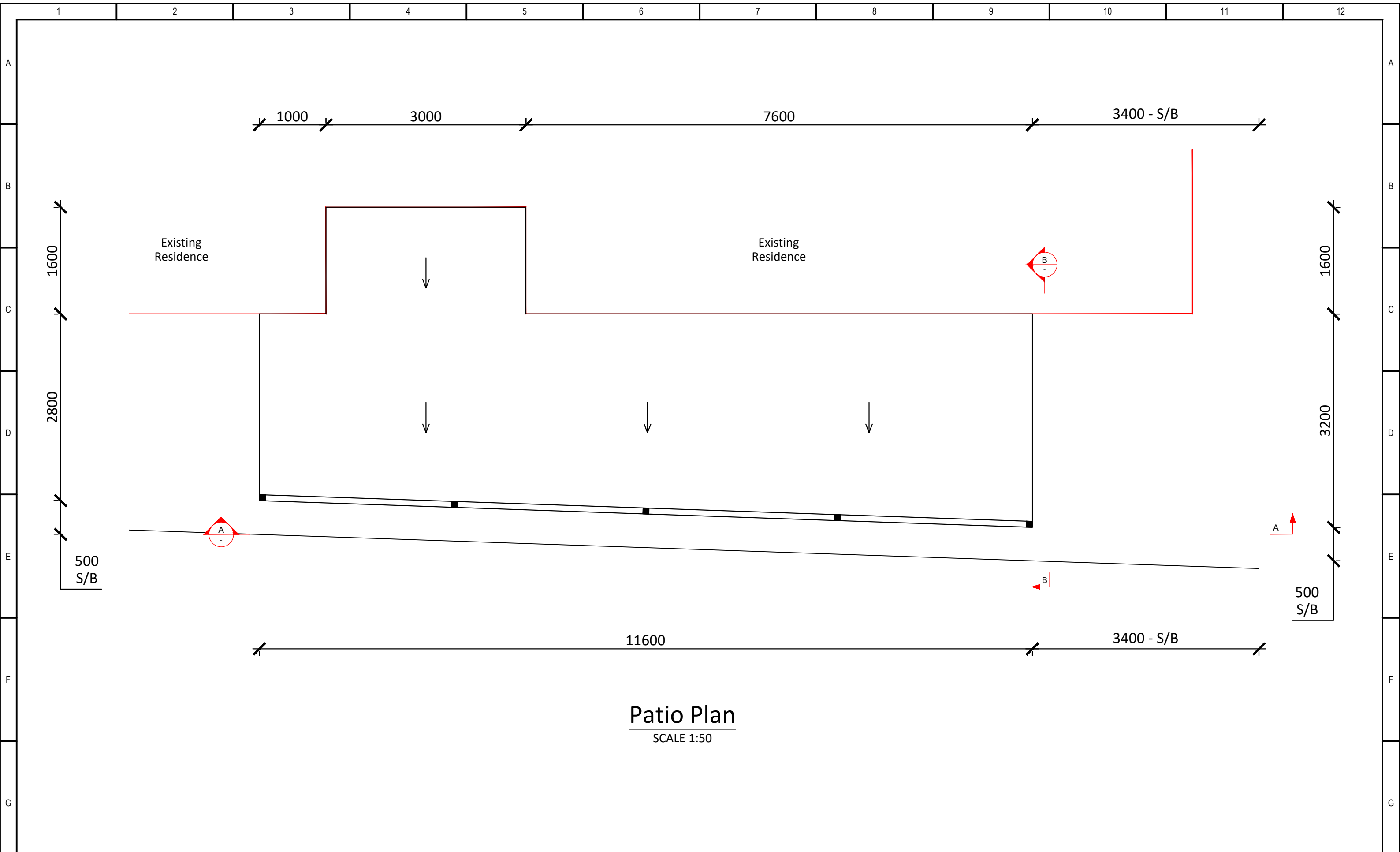
REVISION	DESCRIPTION	DATE	APPROVED
A	FOR APPROVAL	12.04.2022	SJ

52A REGENT AVENUE, MOUNT PLEASANT WA, 6153

NAV CABLE
 SITE PLAN



DRAWN	S. Julian
CHECKED	-
DATE	11.04.22
REVISION	A
SCALE	A3 @ 1:200
SHEET	1 of 3
DRG No.	APD0318_Site

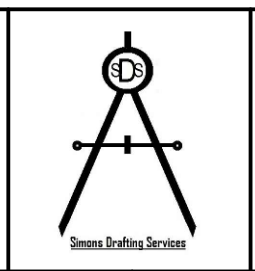


REVISION	DESCRIPTION	DATE	APPROVED
A	FOR APPROVAL	12.04.2022	SJ

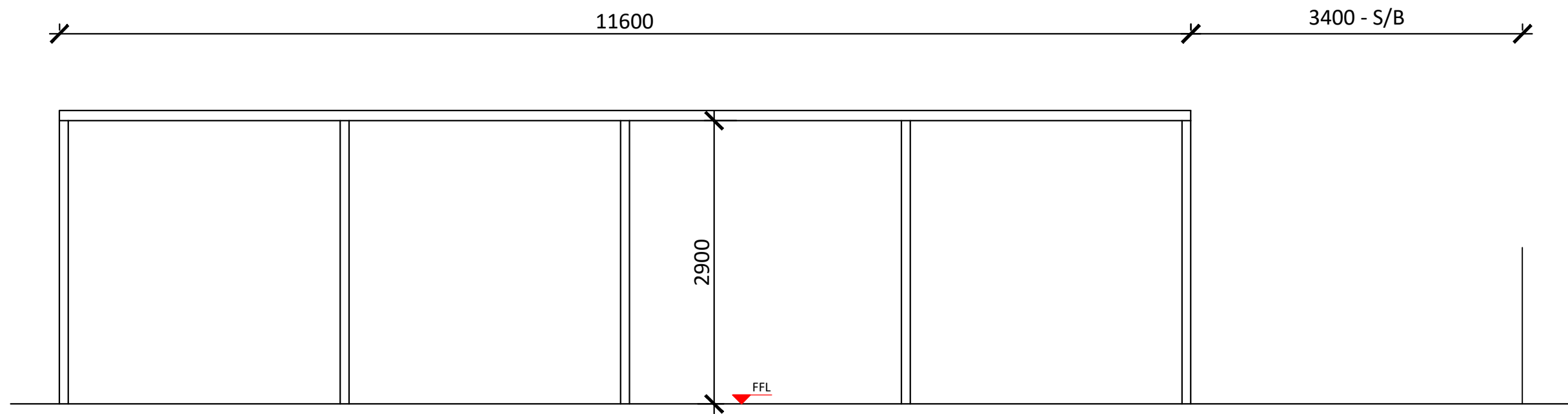
52A REGENT AVENUE, MOUNT PLEASANT WA, 6153

NAV CABLE

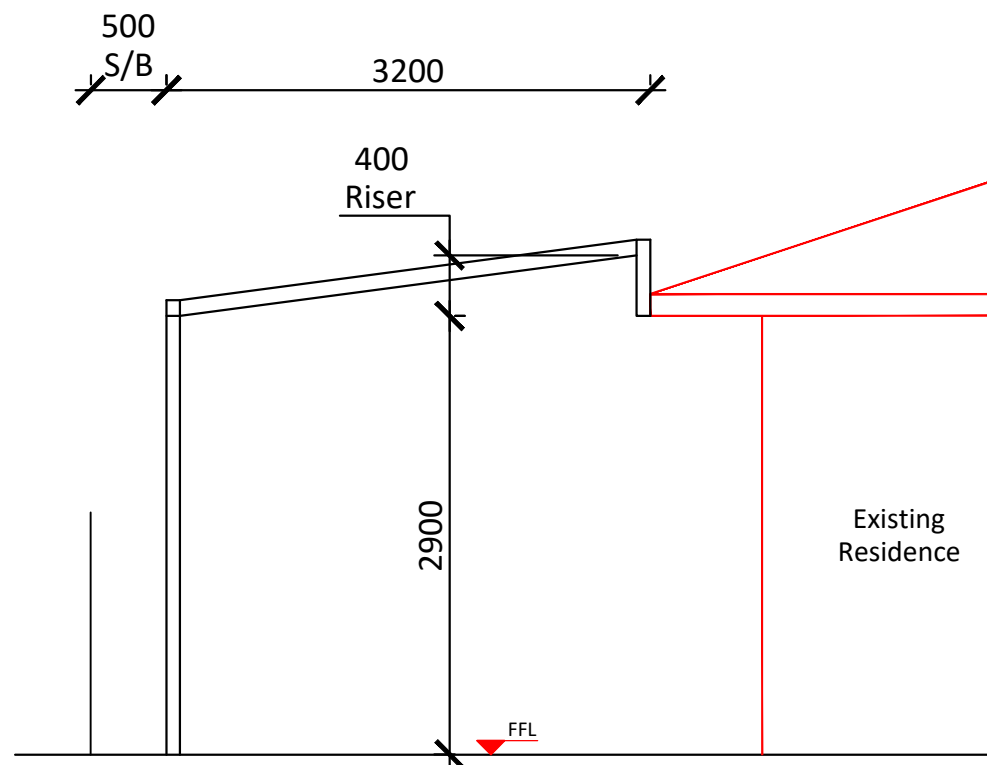
PATIO PLAN & DETAILS - SHEET 1 of 2



DRAWN	S. Julian
CHECKED	-
DATE	11.04.22
REVISION	A
SCALE	A3 @ 1:50
SHEET	2 of 3
DRG No.	APD0318_Patio_1of2



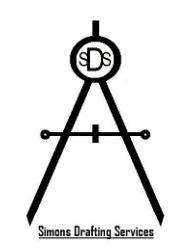
A ELEVATION
SCALE : 1:50



B ELEVATION
SCALE : 1:50

REVISION	DESCRIPTION	DATE	APPROVED
A	FOR APPROVAL	12.04.2022	SJ

52A REGENT AVENUE, MOUNT PLEASANT WA, 6153
 NAV CABLE
 PATIO PLAN & DETAILS - SHEET 2 of 2



DRAWN	S. Julian
CHECKED	-
DATE	11.04.22
REVISION	A
SCALE	A3 @ 1:50
SHEET	3 of 3
DRG No.	APD0318_Patio_2of2